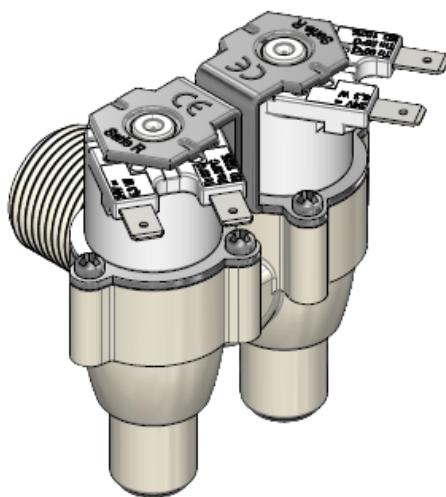




R 289

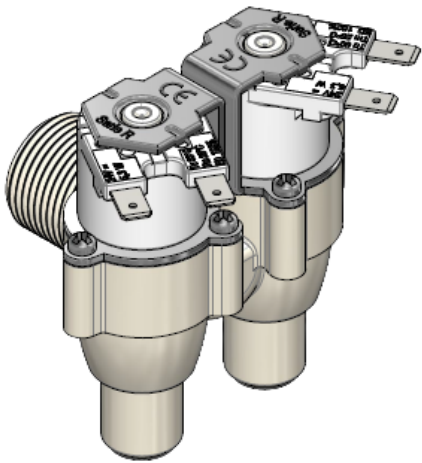
NEW PRODUCT PREVIEW





NEW PRODUCT PREVIEW

R 289



R 289 valve is a 2/2 diaphragm valve that completes the range of the R Series Double 90°.

The inlet is a BSPP 3/4" male thread, usually supplied with filter and white flow regulator (up to 10 lt/min); either, it is possible to change just the flow regulator or to switch them with a check-valve 20 mm diameter.

The two outlets are 90° oriented, with quick coupling 8 mm connections. Flow reducer or check-valve can be installed upon request.

The valve's internal diameter is 11 mm with flow rates exceeding 40/45 lt/min.

Wide variety of custom setups available: three different types of membrane (NBR, LSR, EPDM), coils tension from 12V to 240V, choice of electrical connections (faston, unipolar cables, bipolar cables), plastic or iron bracket.

The valve comes with all the R SERIES certifications, including CE, food approvals (NSF, Wras, KTW) and electrical ones (ENEC or UL request).

APPLICATIONS

R 289 valve is suitable for all applications with fluid temperature up to 60°C (with continuous working cycle) or up to 90°C with ED 3on/5off.

Typical applications are as inlet valve and distribution valve in:

- **Water Dispensers**
- **Machinery and equipment for water filtering**
- **Washing machines and equipment, dishwashers**
- **Machinery and equipment for water softening**



NEW PRODUCT PREVIEW

SPECIFICATIONS

WORKING CHARACTERISTICS

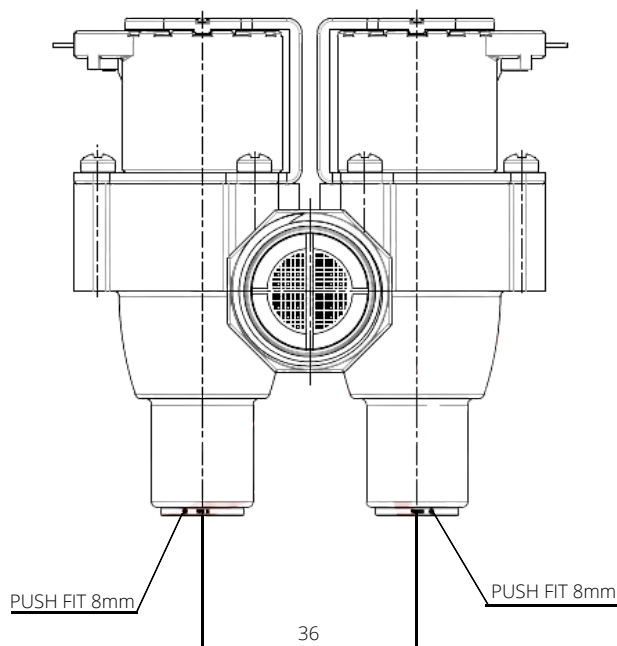
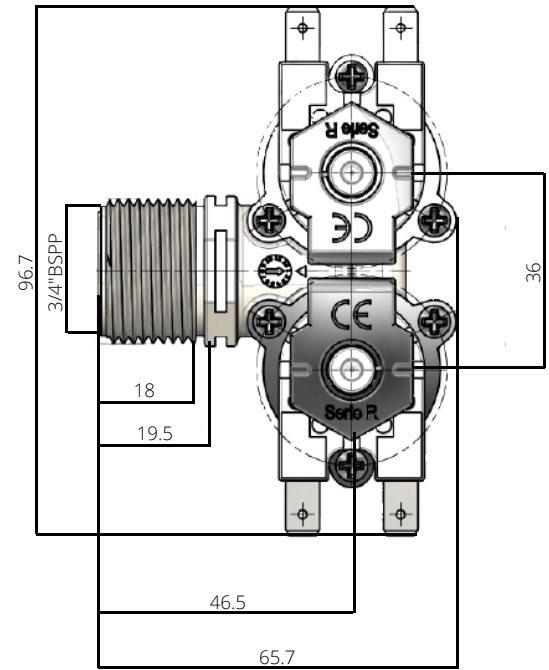
- WORKING PRESSURE: 0.2 - 10 bar
- ROOM TEMPERATURE: 0 - 60°
- FLUID TEMPERATURE: 0 - 60°(ED100%), 90° (ED60%)
- FLOW DIRECTION: UNIDIRECTIONAL
- NOMINAL DIAMETER: DN11

PHYSICAL CHARACTERISTICS

- VALVE BODY: PA 66 30%GF
- DIAPHRAGM: NBR, EPDM, SILICONE
- CORE/SPRING: STAINLESS STEEL

CONNECTIONS

- INLET: 3/4" BSPP MALE THREAD
- OUTLET: 2 X Ø8mm PUSH FIT
- ELECTRICAL CONNECTIONS: 6.3X0.8mm FASTON or CABLES



HIGHLIGHTS

- 100% inspected and tested
- High flow rate
- Any fitting position
- Fast switching time
- Easy installation/maintenance
- Wetted materials compatible with food applications
- High level of personalisation
- Extremely compact
- High quality materials
- NC, NO and latching options available