

LIFE IS BETTER AND SAFE WITH CLEAN HANDS

Many worldwide government institutions are campaigning for the essential ground rule to protect ourselves by washing our hands frequently. The basic principle to wash our hands regularly and correctly is becoming the norm; now a days we can find YouTube tutorials on how and for how long to wash our hands properly.



The U.S CDC [[Centers for Disease Control and Prevention](https://www.cdc.gov)] suggests that it should be for at least for 20 seconds, and if you do not know how long is 20 seconds... Sing the happy birthday song!

Focus on this picture's detail: the electronic infrared touchless faucet displayed gives many advantages.

- You do not need to touch it to operate, giving the highest level of safety;
- You save water, the tap automatically stops; 20 seconds of operation are at least a couple of litres of wasted fresh potable water!



RPE has been working with customers and partners, which have been a key factor in our participation in the electronic hands-free faucet industry for residential and commercial markets. Our Solenoid Valves are all manufactured 100% in-house, which conforms the core of this absolute but essential system.

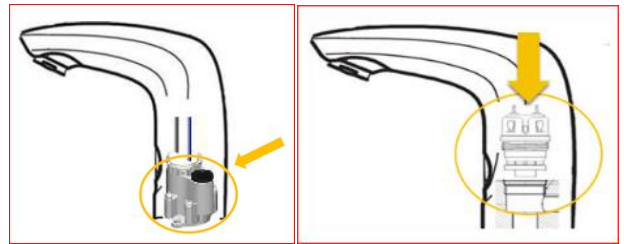
To explain the system in brief, along with the Faucet and Electronics and to have functionality, a solenoid valve is required.

For any sensor operated tap there are different options and solutions:

A Solenoid Valve is totally integrated within the faucet's body.

The Solenoid Valve's dimensions must be as small as possible, giving the designers' free reign to imagine the best configuration and aesthetics according to style and trends.

On the other hand, the valve's small dimensions does not hinder performance, providing ample flow and continuous pressure rate, and since these systems are usually battery operated, minimal power consumption is essential.



RPE has developed two products specifically designed to answer these needs.

The MICRO and AXIAL Series cartridge type valves:



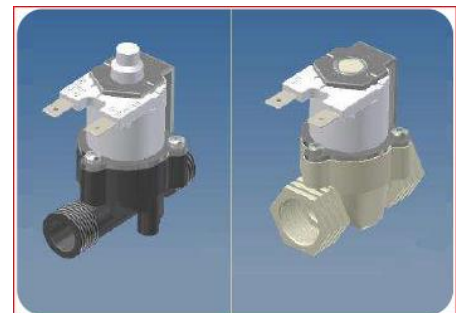
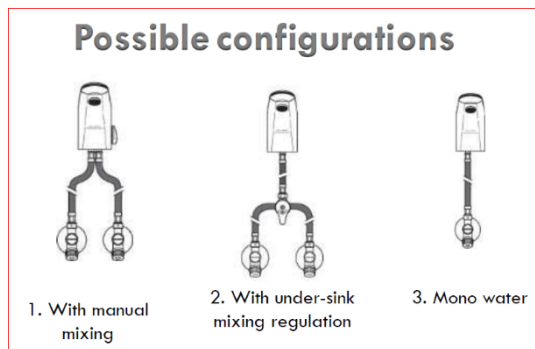
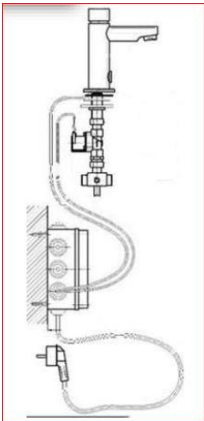
Developed in conjunction with faucet and electronic manufacturers, these two valves combine compact dimensions, low consumption and flow capability. They both share RPE's MICRO solenoid pilot, in DC Latching and AC Monostable; having the lowest power consumption rate in the market, guarantying thousands of operations before battery pack replacement. Both available with jacketed terminals or water tight connectors.



Mounting solutions – solenoid fully integrated in faucet - it can be threaded in or screw held.

Other suggested variants are welcome!

The other most common solution for a sensor tap is an external mounted solenoid valve. The following images show standard solutions and configurations with the R-MINI Series body.



The RPE MINI Series offers many advantages such as:

- Compact Size, valve dimensions are 6.5 cm x 3.8 cm;
- High Performance, flow rates above 70 L/min with a pressure rate from 0.2 to 10 bar;
- Modular, bodies are available with an array of connections: BSP thread (male or female), John Guest & Hose Tail;
- Precise, accurate and limitless;
- Reliable and with a long service life;
- Different electrical connections, faston, Jacketed terminals or water tight connectors;

- 100% water tested before they are shipped.

As a manufacturer we believe that a product's quality and performance cannot be based on price alone.

We take special care on the design, the selection of top-of-the-line raw materials and manufacture with the highest quality standards rather than only on price, our products continue to be competitive and the payoff has been established by our long lasting reputation, which we have gained over the past decades of experience in the industry. Further evidence of the quality of our process are the international product certificates we have attained, such as: WRAS, NSF, KWT.

Through our experience, the different solutions we offer, as well as our high quality standards and certified products, RPE Srl provides an important role in the improvement and safety of our products. You want to know more, do not hesitate in contacting us!

RPE Srl is a leader in fluid management control... including the now necessary action of washing our hands!

Stay Safe.



www.rpesrl.it

Solenoid Valves
Pressure restrictors
Flow meters & Filters

SINCE **1972**

Nothing great has ever been done without passion